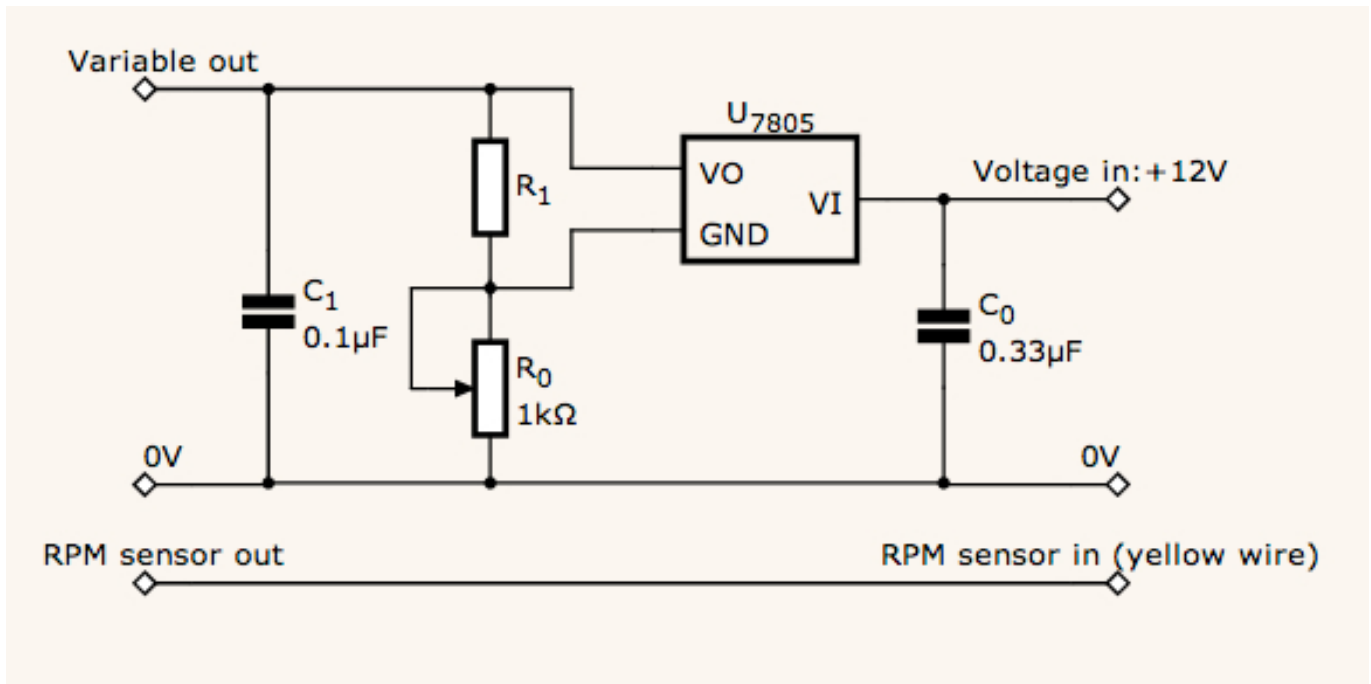


---

**Imposition Wizard 3.0.6 With Crack Download [Latest]**



DOWNLOAD: <https://byltly.com/29s2fa>

**Download**

